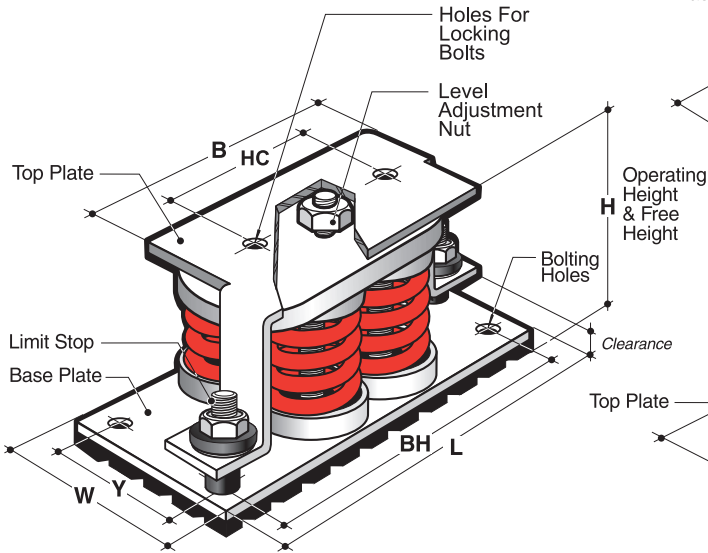
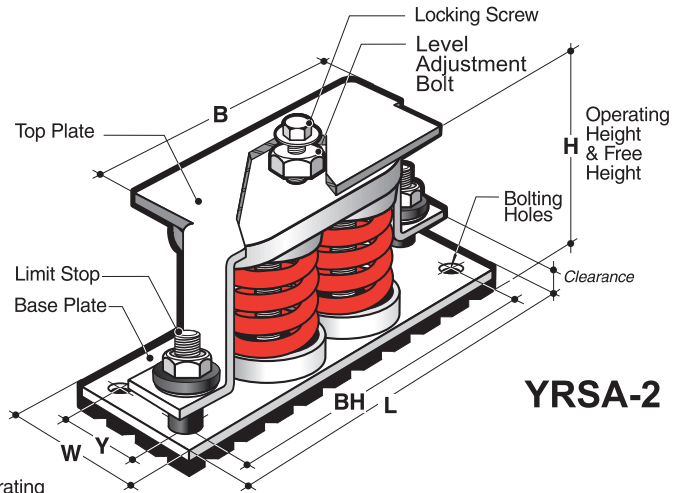


Restrained Vibration Isolators

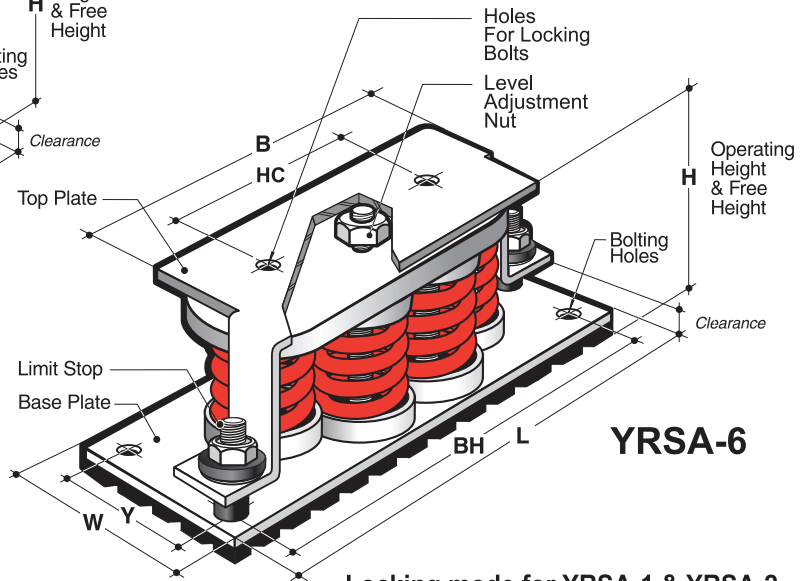
YRSA is recommended for equipment to be vibration free that prefer compact & short mounting height of vibration isolator units. Typically used on small generator sets, centrifugal fans, centrifugal pumps, small fire pumps (motor or engine driven), tanks, boilers and various small HVAC units.



YRSA-4



YRSA-2



YRSA-6

INSTALLATION

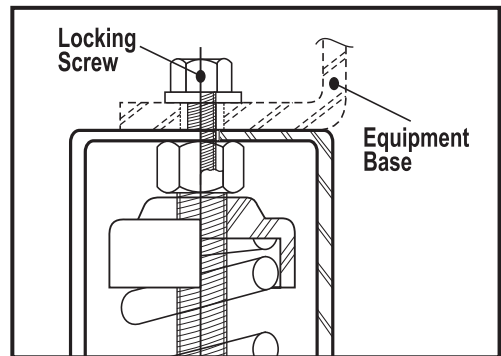
The ' Top Plate ' of the mounting unit must be secured firmly (with screw bolts) to the equipment under isolation, with approximately (10 - 20 mm) clearance between flanges of ' Top Plate ' and ' Base Plate '.

The limit stops shall ride freely through the clearance holes in the flanges of ' Top Plates '. Locking nuts and washers on limit stops to be loosened after proper installation and height leveling.

WEATHERPROOFING

When required mounting units shall be hot-dipped galvanized when used outdoors or electroplated which is standard when used indoors.

Locking mode for YRSA-1 & YRSA-2



Locking mode for YRSA-4 & YRSA-6

