



# Tomahawk



## Spring Vibration Isolators

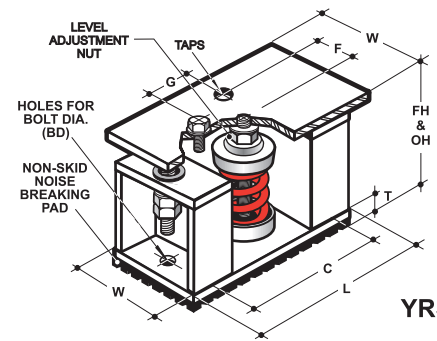
### 1-inch Rated Deflection

• YRS-C1 • YRS-C2 • YRS-C4 • YRS-C6 • YRS-C8 • YRS-C9 • YRS-C10 • YRS-C12

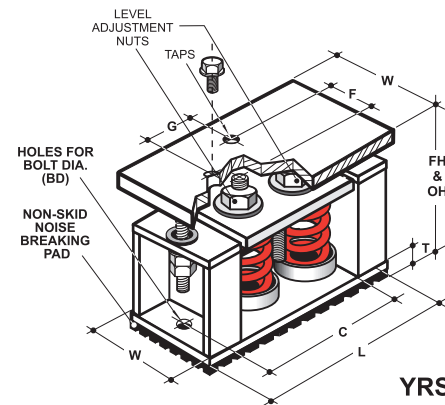
YRS-C restrained vibration isolators are the outgrowths of Tomahawk's C-series springs, of which the springs, free standing with spring outside diameter to loaded operating height ratio of minimum 0.80 and additional 50% or more deflection to solid from rated deflection, are assembled into the welded steel housing assemblies to limit the vertical movement of the springs.

The steel housing assembly limits vertical movement of the equipment under isolation by the travel limit studs and the top plates of the side limit frames, through the center holes of both. The unit is assembled with spring(s) in cap/cup<sup>(1)</sup> or mounting load plate and bottom base plate. Level is adjustable by hexagon nut(s). Locking taps<sup>(2)</sup> for the top load plate and bolting holes<sup>(3)</sup> for the bottom base plate are provided. The steel housing is hot-dipped galvanized as standard while epoxy coating is optional. Locking screw and washer are zinc plated as standard. Spring(s) is color epoxy paint coated for corrosion protection and easy load identification. An acoustic non-skid rubber pad is provided under the bottom base plate of the unit.

YRS-C restrained isolators are recommended for equipment that undergo large amount of fluid load changes during service or maintenance such as chillers, boilers and cooling towers and also for equipment installed on rooftops to resist strong wind load.



YRS-C1



YRS-C2

| MODEL        | IMPERIAL UNITS    |                   |                        | COLOR CODE    | METRIC UNITS    |                  |                     | DIMENSION (mm) |     |     |     |    |    |         |         |    |
|--------------|-------------------|-------------------|------------------------|---------------|-----------------|------------------|---------------------|----------------|-----|-----|-----|----|----|---------|---------|----|
|              | Rated Load (lbs.) | Rated Defl. (in.) | Spring Rate (lbs./in.) |               | Rated Load (kg) | Rated Defl. (mm) | Spring Rate (kg/mm) | FH & OH        | L   | W   | C   | F  | G  | TAP     | BD      | T  |
| YRS-C1-140   | 140               | 1.95              | 71.79                  | brown         | 63.5            | 49.53            | 1.28                |                |     |     |     |    |    |         |         |    |
| YRS-C1-240   | 240               | 1.77              | 135.59                 | blue          | 108.9           | 44.96            | 2.42                |                |     |     |     |    |    |         |         |    |
| YRS-C1-380   | 380               | 1.62              | 234.57                 | green         | 172.4           | 41.15            | 4.19                |                |     |     |     |    |    |         |         |    |
| YRS-C1-410   | 410               | 1.57              | 261.15                 | grey          | 186.0           | 39.88            | 4.66                |                |     |     |     |    |    |         |         |    |
| YRS-C1-530   | 530               | 1.42              | 373.24                 | red           | 240.5           | 36.07            | 6.67                |                |     |     |     |    |    |         |         |    |
| YRS-C1-650   | 650               | 1.38              | 471.01                 | yellow        | 294.9           | 35.05            | 8.41                |                |     |     |     |    |    |         |         |    |
| YRS-C1-750   | 750               | 1.28              | 585.94                 | orange        | 340.3           | 32.51            | 10.47               |                |     |     |     |    |    |         |         |    |
| YRS-C1-900i  | 900               | 1.28              | 703.13                 | orange + tan  | 408.3           | 32.51            | 12.56               | 170            | 200 | 100 | 170 | 35 | 35 | 2 x M12 | 2 x Ø16 | 20 |
| YRS-C1-1040  | 1040              | 1.10              | 945.45                 | white         | 471.9           | 27.94            | 16.89               |                |     |     |     |    |    |         |         |    |
| YRS-C1-1260i | 1260              | 1.10              | 1,145.45               | white + green | 571.7           | 27.94            | 20.46               |                |     |     |     |    |    |         |         |    |
| YRS-C1-1470  | 1470              | 1.00              | 1,470.00               | black         | 667.0           | 25.40            | 26.26               |                |     |     |     |    |    |         |         |    |
| YRS-C1-1720i | 1720              | 1.00              | 1,720.00               | black + red   | 780.4           | 25.40            | 30.72               |                |     |     |     |    |    |         |         |    |
| YRS-C1-1900  | 1900              | 1.00              | 1,900.00               | yellow        | 862.1           | 25.40            | 33.94               |                |     |     |     |    |    |         |         |    |
| YRS-C1-2080i | 2080              | 1.00              | 2,080.00               | black + blue  | 943.7           | 25.40            | 37.16               |                |     |     |     |    |    |         |         |    |
| YRS-C1-2330i | 2330              | 1.00              | 2,330.00               | yellow + orgn | 1057.2          | 25.40            | 41.62               |                |     |     |     |    |    |         |         |    |
| YRS-C1-2510i | 2510              | 1.00              | 2,510.00               | yellow + blue | 1138.8          | 25.40            | 44.84               |                |     |     |     |    |    |         |         |    |
| YRS-C2-820   | 820               | 1.57              | 522.29                 | grey          | 372.1           | 39.88            | 9.33                |                |     |     |     |    |    |         |         |    |
| YRS-C2-1060  | 1060              | 1.42              | 746.48                 | red           | 480.9           | 36.07            | 13.33               |                |     |     |     |    |    |         |         |    |
| YRS-C2-1300  | 1300              | 1.38              | 942.03                 | yellow        | 589.8           | 35.05            | 16.83               |                |     |     |     |    |    |         |         |    |
| YRS-C2-1500  | 1500              | 1.28              | 1,171.88               | orange        | 680.6           | 32.51            | 20.93               |                |     |     |     |    |    |         |         |    |
| YRS-C2-1800  | 1800              | 1.28              | 1,406.25               | orange + tan  | 816.7           | 32.51            | 25.12               |                |     |     |     |    |    |         |         |    |
| YRS-C2-2080  | 2080              | 1.10              | 1,890.91               | white         | 943.7           | 27.94            | 33.78               |                |     |     |     |    |    |         |         |    |
| YRS-C2-2520  | 2520              | 1.10              | 2,290.91               | white + green | 1143.4          | 27.94            | 40.92               | 175            | 300 | 100 | 260 | 35 | 35 | 2 x M12 | 2 x Ø16 | 20 |
| YRS-C2-2940  | 2940              | 1.00              | 2,940.00               | black         | 1333.9          | 25.40            | 52.52               |                |     |     |     |    |    |         |         |    |
| YRS-C2-3440  | 3440              | 1.00              | 3,440.00               | black + red   | 1560.8          | 25.40            | 61.45               |                |     |     |     |    |    |         |         |    |
| YRS-C2-3800  | 3800              | 1.00              | 3,800.00               | yellow        | 1724.1          | 25.40            | 67.88               |                |     |     |     |    |    |         |         |    |
| YRS-C2-4160  | 4160              | 1.00              | 4,160.00               | black + blue  | 1887.5          | 25.40            | 74.31               |                |     |     |     |    |    |         |         |    |
| YRS-C2-4660  | 4660              | 1.00              | 4,660.00               | yellow + orgn | 2114.3          | 25.40            | 83.24               |                |     |     |     |    |    |         |         |    |
| YRS-C2-5020  | 5020              | 1.00              | 5,020.00               | yellow + blue | 2277.7          | 25.40            | 89.67               |                |     |     |     |    |    |         |         |    |

**\*Notes:**

(1) One spring cap/cup for type YRS-C1. Mounting load plate for type YRS-C2 onwards.

(2) Two (2) tapped holes for YRS-C1 to YRS-C12 but only ONE (1) is actually required.

(3) Rubber isolation bushings are provided for M12 bolt-down screw of all the Ø16 mm diameter bolt-down holes to prevent metal-to-metal contact.

(4) Dimensions F or G could be made to customers' requirement or to be plain holes in place of tapped ones with extra charge

FH & OH = Free Height and Operating Height

