



Tomahawk



Spring Vibration Isolators

2-inch Rated Deflection YRS-D

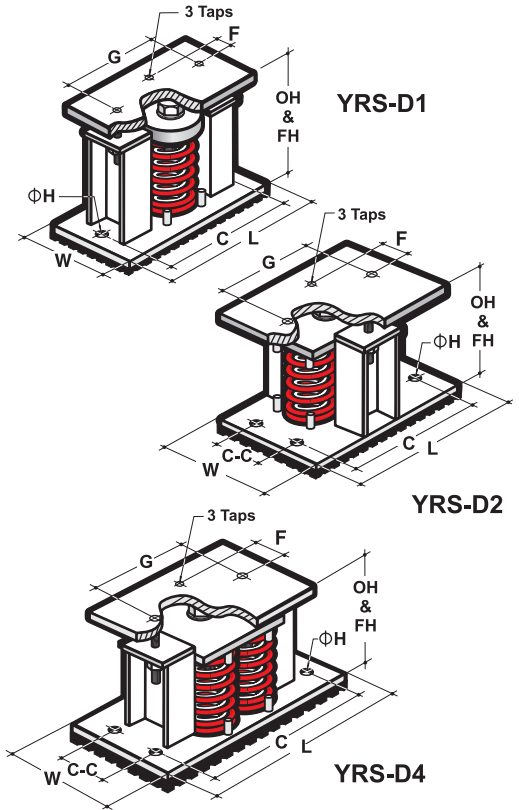
Tomahawk's new **YRS-D** restrained vibration isolators are the outgrowths of the newly upgraded "D-series" full fledged 2-inch deflection type, of which the springs with the ratio of outside diameter to loaded operating height of 0.80 and additional minimum 50% deflection to solid from rated deflection, are housed in a welded steel housing assembly to limit the vertical movements of the springs.

The vertical movement of the equipment under isolation is limited by two (2) ⁽¹⁾ travel limit stop studs and the top plate of the side support frames, through the center holes of both. The spring is assembled with top spring cap and bottom cup and level adjustment is done by level adjustment nut(s). Taps on Top Plate for equipment locking and bolt-down holes on Base Plate are provided. The steel housing assembly, level adjustment nut(s), limit stop studs, locking screw and washer are hot-dipped galvanized for corrosion proof as standard feature. Springs are oven-baked paint coated for easy load identification and corrosion resistance.

Specifications

Restraint vibration isolator shall be of welded steel housing assembly and consist of spring cap / cup (for model YRS-D1 only), mounting plate (for models YRS-D2 & above), top plate with travel limit studs and level adjustment nut. Taps on Top Plate for equipment locking and bolt-down holes on Base Plate are provided. The steel housing assembly, level adjustment nut(s), limit stop studs, locking screw and washer shall be hot-dipped galvanized for supreme weather proofing. A layer of acoustical and anti-skid rubber pad shall be provided under the bottom base plate.

Springs shall be free standing, large diameter with minimum ratio of 0.80, the spring outside diameter (O.D.) to loaded operating height (OpHt) for stability and minimum 50% overload capacity. Springs shall be oven-baked paint coated for anti-corrosion and for load identification. Mounts shall be Tomahawk's **YRS-D** as manufactured by Vibratex Industries Sdn. Bhd.



MODEL	IMPERIAL UNITS			COLOR CODE	METRIC UNITS			DIMENSION (mm)								
	Rated Load (lbs.)	Rated Defl. (in.)	Spring Rate (lbs./in.)		Rated Load (kg)	Rated Defl. (mm)	Spring Rate (kg/mm)	FH & OH	L	W	C	C-C	F	G	TAP	ΦH
YRS-D1-350	350	2.00	175.00	black	158.8	50.80	3.13	230	250	100	210	-	35	100	3 x M12	2 x Φ16
YRS-D1-500	500	2.00	250.00	white	226.9	50.80	4.47									
YRS-D1-700	700	2.00	350.00	red	317.6	50.80	6.25									
YRS-D1-800	800	2.00	400.00	yellow	363.0	50.80	7.15									
YRS-D1-1000	1000	2.00	500.00	blue	453.7	50.80	8.93									
YRS-D1-1200	1200	2.00	600.00	grey	544.5	50.80	10.72									
YRS-D1-1350	1350	2.00	675.00	tan	612.5	50.80	12.06									
YRS-D1-1600	1600	2.00	800.00	brown	726.0	50.80	14.29									
YRS-D1-1900	1900	2.00	950.00	blue	862.1	50.80	16.97									
YRS-D1-2200	2200	2.00	1100.00	red	998.19	50.80	19.65									
YRS-D1-2800	2800	2.00	1400.00	tan	1270.42	50.80	25.01	260	280	130	240	-	35	100	3 x M12	2 x Φ16
YRS-D1-3500	3500	2.00	1750.00	dark blue	1588.02	50.80	31.26									
YRS-D1-4000	4000	2.00	2000.00	orange	1814.88	50.80	35.73									
YRS-D1-4500	4500	2.00	2250.00	white	2041.74	50.80	40.19									
YRS-D1-5000	5000	2.00	2500.00	brown	2268.60	50.80	44.66	310	300	160	260	-	35	100	3 x M12	2 x Φ16
YRS-D1-5500	5500	2.00	2750.00	red	2495.46	50.80	49.12									
YRS-D1-6000i	6000	2.00	3000.00	red + white	2722.32	50.80	53.59									
YRS-D2-4400	4400	2.00	2200.00	red	1996.37	50.80	39.30	310	400	250	360	200	50	100	3 x M12	4 x Φ16
YRS-D2-5600	5600	2.00	2800.00	tan	2540.83	50.80	50.02									
YRS-D2-7000	7000	2.00	3500.00	dark blue	3176.04	50.80	62.52									
YRS-D2-8000	8000	2.00	4000.00	orange	3629.76	50.80	71.45									
YRS-D2-9000	9000	2.00	4500.00	white	4083.48	50.80	80.38	320	450	300	410	100	50	100	3 x M12	4 x Φ16
YRS-D2-10000	10000	2.00	5000.00	brown	4537.21	50.80	89.32									
YRS-D2-11000	11000	2.00	5500.00	red	4990.93	50.80	98.25									
YRS-D2-12000i	12000	2.00	6000.00	red + white	5444.65	50.80	107.18									
YRS-D4-8800	8800	2.00	4400.00	red	3992.74	50.80	78.60	320	460	320	420	120	50	100	3 x M12	4 x Φ16
YRS-D4-11200	11200	2.00	5600.00	tan	5081.67	50.80	100.03									
YRS-D4-14000	14000	2.00	7000.00	dark blue	6352.09	50.80	125.04									
YRS-D4-16000	16000	2.00	8000.00	orange	7259.53	50.80	142.90									
YRS-D4-18000	18000	2.00	9000.00	white	8166.97	50.80	160.77	320	540	400	500	250	50	100	3 x M12	4 x Φ16
YRS-D4-20000	20000	2.00	10000.00	brown	9074.41	50.80	178.63									
YRS-D4-22000	22000	2.00	11000.00	red	9981.85	50.80	196.49									
YRS-D4-24000i	24000	2.00	12000.00	red + white	10889.29	50.80	214.36									

⁽¹⁾ Notes: (1) All YRS-D4-xxxx models have 4 no. limit stop studs.

(2) Dimensions F or G can be made to customers' requirements or to be plain holes in place of tapped ones

FH & OH = Free Height and Operating Height