



Tomahawk



Restrained Vibration Isolator

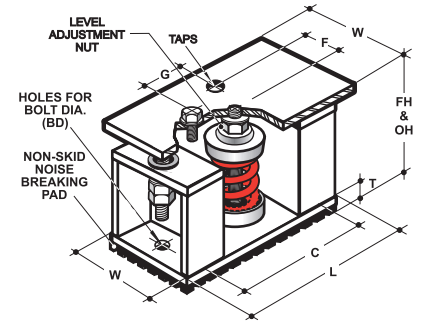
2-inch Rated Deflection

• YRS-2C1 • YRS-2C2 • YRS-2C4 • YRS-2C6 • YRS-2C8 • YRS-2C9 • YRS-2C10 • YRS-2C12

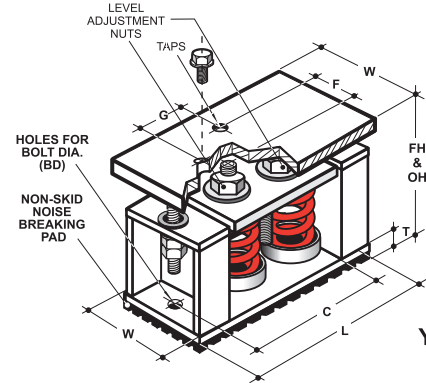
YRS-2C restrained vibration isolators are the outgrowths of Tomahawk's 2C-series springs, the springs of which are free standing with spring outside diameter to loaded operating height ratio of minimum 0.80 and additional 35% to 50%⁽¹⁾ or more deflection to solid from rated deflection, with the additional welded steel housing assemblies.

The steel housing assembly limits vertical movement of the equipment under isolation by the travel limit studs and the top plates of the side limit frames, through the center holes of both. The unit is assembled with spring(s) in cap/cup⁽¹⁾ or mounting load plate and bottom base plate. Level is adjustable by hexagon nut(s). Locking taps⁽²⁾ for the top load plate and bolting holes⁽³⁾ for the bottom base plate are provided. The steel housing is hot-dipped galvanized as standard while epoxy coating is optional. Locking screw and washer are zinc plated. Spring(s) is color epoxy coated for corrosion protection easy load identification. An acoustic non-skid pad is provided under the bottom base plate of the unit.

YRS-2C restrained isolators are recommended for equipment that undergo large amount of fluid load changes during service or maintenance such as chillers, boilers and cooling towers and also for equipment installed on rooftops to resist strong wind loads.



YRS-2C1



YRS-2C2

MODEL	IMPERIAL UNITS			COLOR CODE	METRIC UNITS			DIMENSION (mm)								
	Rated Load (lbs.)	Rated Defl. (in.)	Spring Rate (lbs./in.)		Rated Load (kg)	Rated Defl. (mm)	Spring Rate (kg/mm)	FH & OH	L	W	C	F	G	TAP	BD	T
YRS-2C1-155	155	2.40	64.58	pink	70.31	60.96	1.15									
YRS-2C1-200	200	2.35	85.11	grey	90.72	59.69	1.52									
YRS-2C1-260	260	2.25	115.56	brown	117.94	57.15	2.06									
YRS-2C1-340	340	2.20	154.55	blue	154.22	55.88	2.76									
YRS-2C1-430	430	2.00	215.00	yellow	195.05	50.80	3.84									
YRS-2C1-500	500	2.00	250.00	red	226.80	50.80	4.46									
YRS-2C1-570	570	2.00	285.00	black	258.55	50.80	5.09	170	200	100	170	35	35	2 x M12	2 x Φ16	20
YRS-2C1-650 ⁽¹⁾	650	2.00	325.00	green	294.84	50.80	5.80									
YRS-2C1-765 ⁽²⁾	765	2.00	382.50	orange	347.00	50.80	6.83									
YRS-2C1-850i	850	2.00	425.00	orange+yellow	385.56	50.80	7.59									
YRS-2C1-930i	930	2.00	465.00	orange+black	421.85	50.80	8.30									
YRS-2C1-1100i	1100	2.00	550.00	orange+red	498.96	50.80	9.82									
YRS-2C1-1220i	1220	2.00	610.00	orange+gold	553.39	50.80	10.89									
YRS-2C2-680	680	2.20	309.09	blue	308.45	55.88	5.52									
YRS-2C2-860	860	2.00	430.00	yellow	390.10	50.80	7.68									
YRS-2C2-1000	1000	2.00	500.00	red	453.60	50.80	8.93									
YRS-2C2-1140	1140	2.00	570.00	black	517.10	50.80	10.18									
YRS-2C2-1300	1300	2.00	650.00	green	589.68	50.80	11.61	175	300	100	260	35	35	2 x M12	2 x Φ16	20
YRS-2C2-1530	1530	2.00	765.00	orange	694.01	50.80	13.66									
YRS-2C2-1700	1700	2.00	850.00	orange+yellow	771.12	50.80	15.18									
YRS-2C2-1860	1860	2.00	930.00	orange+black	843.70	50.80	16.61									
YRS-2C2-2200	2200	2.00	1100.00	orange+red	997.92	50.80	19.64									
YRS-2C2-2440	2440	2.00	1220.00	orange+gold	1106.78	50.80	21.79									

FH & OH = Free Height and Operating Height

*Notes: (1) YRS-2C1-650 and its multiples have 40% additional deflection to solid. Shaded models (YRS-2C1-765 and its multiples) have 35% additional deflection to solid.

In case FULL 50% additional deflection is required then use the "Down-Rated" ratings as shown in Table below.

(2) Two (2) tapped holes for YRS-2C1 to YRS-2C12 but only ONE (1) is actually required.

(3) Rubber isolation bushings are provided for M12 bolt-down screw of all the Φ16 mm diameter bolt-down holes to prevent metal-to-metal contact.

(4) Dimensions F or G could be made to customers' requirement or to be plain holes in place of tapped ones with minimal additional charge.

MODEL	Down-rated capacity (lbs.)	Down-rated deflection (in.)	MODEL	Down-rated capacity (lbs.)	Down-rated deflection (in.)
YRS-2C1-650	608	1.87	YRS-2C2-1300	1216	1.87
YRS-2C1-765	689	1.80	YRS-2C2-1530	1377	1.80
YRS-2C1-850i	765	1.80	YRS-2C2-1700	1530	1.80
YRS-2C1-930i	837	1.80	YRS-2C2-1860	1674	1.80
YRS-2C1-1100i	990	1.80	YRS-2C2-2200	1980	1.80
YRS-2C1-1220i	1098	1.80	YRS-2C2-2440	2196	1.80



Tomahawk



Rgn No : 180788
ISO 9001:2000 Certified

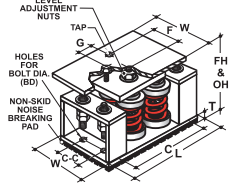
Restrained Vibration Isolator

2-inch Rated Deflection

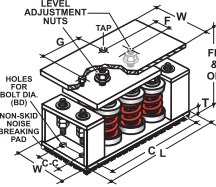
• YRS-2C4 • YRS-2C6 • YRS-2C8 • YRS-2C9 • YRS-2C10 • YRS-2C12

Specifications

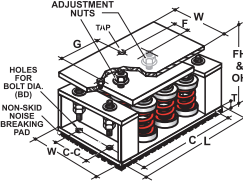
Restrained vibration isolator shall be of welded steel housing assembly. The spring(s) is assembled with spring cap(s)/cup(s) or mounting load plate and bottom load plate. Level is adjustable by hexagon nut(s). Locking taps⁽²⁾ for the top load plate and bolting holes⁽³⁾ for the bottom base plate are provided. The steel housing is hot-dipped galvanized as standard while epoxy coating is optional. Locking screw and washer are zinc plated. Spring is color epoxy coated for corrosion protection and easy load identification. An acoustic anti-skid pad shall be provided under the bottom base plate of the unit. Spring(s) shall be free standing, large diameter with spring outside diameter to loaded operating height ratio of minimum 0.80 and provide 35% to 50 % or more overload capacity. Mounts shall be Tomahawk's YRS-2C as manufactured by Vibratex Industries Sdn. Bhd.



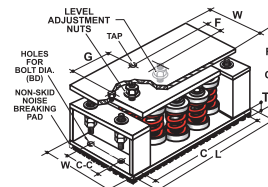
YRS-2C4



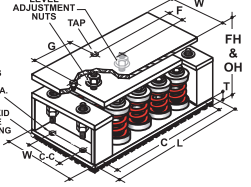
YRS-2C6



YRS-2C8 & YRS-2C9



YRS-2C10



YRS-2C12

MODEL	IMPERIAL UNITS			COLOR CODE	METRIC UNITS			DIMENSION (mm)									
	Rated Load (lbs.)	Rated Defl. (in.)	Spring Rate (lbs./in.)		Rated Load (kg)	Rated Defl. (mm)	Spring Rate (kg/mm)	FH & OH	L	W	C	C-C	F	G	TAP	BD	T
YRS-2C4-2000	2000	2.00	1000.00	red	907.20	50.80	17.86										
YRS-2C4-2280	2280	2.00	1140.00	black	1034.21	50.80	20.36										
YRS-2C4-2600	2600	2.00	1300.00	green	1179.36	50.80	23.22										
YRS-2C4-3060	3060	2.00	1530.00	orange	1388.02	50.80	27.32	190	280	150	250	80	40	40	2 x M16	4 x Ø16	25
YRS-2C4-3400	3400	2.00	1700.00	orange+yellow	1542.24	50.80	30.36										
YRS-2C4-3720	3720	2.00	1860.00	orange+black	1687.39	50.80	33.22										
YRS-2C4-4400	4400	2.00	2200.00	orange+red	1995.84	50.80	39.29										
YRS-2C4-4880	4880	2.00	2440.00	orange+gold	2213.57	50.80	43.57										
YRS-2C6-3420	3420	2.00	1710.00	black	1551.31	50.80	30.54										
YRS-2C6-3900	3900	2.00	1950.00	green	1769.04	50.80	34.82										
YRS-2C6-4590	4590	2.00	2295.00	orange	2082.02	50.80	40.98										
YRS-2C6-5100	5100	2.00	2550.00	orange+yellow	2313.36	50.80	45.54	190	360	150	320	80	50	100	2 x M16	4 x Ø16	25
YRS-2C6-5580	5580	2.00	2790.00	orange+black	2531.09	50.80	49.82										
YRS-2C6-6600	6600	2.00	3300.00	orange+red	2993.76	50.80	58.93										
YRS-2C6-7320	7320	2.00	3660.00	orange+gold	3320.35	50.80	65.36										
YRS-2C8-5200	5200	2.00	2600.00	green	2358.72	50.80	46.43										
YRS-2C8-6120	6120	2.00	3060.00	orange	2776.03	50.80	54.65										
YRS-2C8-6800	6800	2.00	3400.00	orange+yellow	3084.48	50.80	60.72										
YRS-2C8-7440	7440	2.00	3720.00	orange+black	3374.78	50.80	66.43	190	375	250	335	120	50	50	2 x M16	4 x Ø16	25
YRS-2C8-8800	8800	2.00	4400.00	orange+red	3991.68	50.80	78.58										
YRS-2C8-9760	9760	2.00	4880.00	orange+gold	4427.14	50.80	87.15										
YRS-2C9-5850	5850	2.00	2925.00	green	2653.56	50.80	52.24										
YRS-2C9-6885	6885	2.00	3442.50	orange	3123.04	50.80	61.48										
YRS-2C9-7650	7650	2.00	3825.00	orange+yellow	3470.04	50.80	68.31										
YRS-2C9-8370	8370	2.00	4185.00	orange+black	3796.63	50.80	74.74	190	375	250	335	120	50	50	2 x M16	4 x Ø16	25
YRS-2C9-9900	9900	2.00	4950.00	orange+red	4490.64	50.80	88.40										
YRS-2C9-10980	10980	2.00	5490.00	orange+gold	4980.53	50.80	98.04										
YRS-2C10-6500	6500	2.00	3250.00	green	2948.40	50.80	58.04										
YRS-2C10-7650	7650	2.00	3442.50	orange	3123.04	50.80	61.48										
YRS-2C10-8500	8500	2.00	4250.00	orange+yellow	3855.60	50.80	75.90										
YRS-2C10-9300	9300	2.00	4650.00	orange+black	4218.48	50.80	83.04	200	446	250	406	120	75	75	2 x M16	4 x Ø16	25
YRS-2C10-11000	11000	2.00	5500.00	orange+red	4989.60	50.80	98.22										
YRS-2C10-12200	12200	2.00	6100.00	orange+gold	5533.92	50.80	108.94										
YRS-2C12-7800	7800	2.00	3900.00	green	3538.08	50.80	69.65										
YRS-2C12-9180	9180	2.00	4590.00	orange	4164.05	50.80	81.97										
YRS-2C12-10200	10200	2.00	5100.00	orange+yellow	4626.72	50.80	91.08										
YRS-2C12-11160	11160	2.00	5580.00	orange+black	5062.18	50.80	99.65	200	470	250	430	120	75	75	2 x M16	4 x Ø16	25
YRS-2C12-13200	13200	2.00	6600.00	orange+red	5987.52	50.80	117.86										
YRS-2C12-14640	14640	2.00	7320.00	orange+gold	6640.70	50.80	130.72										

FH & OH = Free Height and Operating Height

MODEL	Down-rated capacity (lbs.)	Down-rated deflection (in.)	MODEL	Down-rated capacity (lbs.)	Down-rated deflection (in.)	MODEL	Down-rated capacity (lbs.)	Down-rated deflection (in.)
YRS-2C4-2600	2432	1.87	YRS-2C8-5200	4862	1.87	YRS-2C10-6500	6078	1.87
YRS-2C4-3060	2754	1.80	YRS-2C8-6120	5508	1.80	YRS-2C10-6885	6885	1.80
YRS-2C4-3400	3060	1.80	YRS-2C8-6800	6120	1.80	YRS-2C10-8500	7650	1.80
YRS-2C4-3720	3348	1.80	YRS-2C8-7440	6690	1.80	YRS-2C10-9300	8370	1.80
YRS-2C4-4400	3960	1.80	YRS-2C8-8800	7920	1.80	YRS-2C10-10000	9900	1.80
YRS-2C4-4880	4392	1.80	YRS-2C8-9760	8784	1.80	YRS-2C10-12200	10980	1.80
YRS-2C6-3900	3648	1.87	YRS-2C9-5850	5470	1.87	YRS-2C12-7800	7293	1.87
YRS-2C6-4590	4131	1.80	YRS-2C9-6885	6197	1.80	YRS-2C12-9180	8262	1.80
YRS-2C6-5100	4590	1.80	YRS-2C9-7650	6885	1.80	YRS-2C12-10200	9180	1.80
YRS-2C6-5580	5022	1.80	YRS-2C9-8370	7533	1.80	YRS-2C12-11160	10044	1.80
YRS-2C6-6600	5940	1.80	YRS-2C9-9900	8910	1.80	YRS-2C12-13200	11880	1.80
YRS-2C6-7320	6588	1.80	YRS-2C9-10980	9882	1.80	YRS-2C12-14640	13176	1.80