



Tomahawk



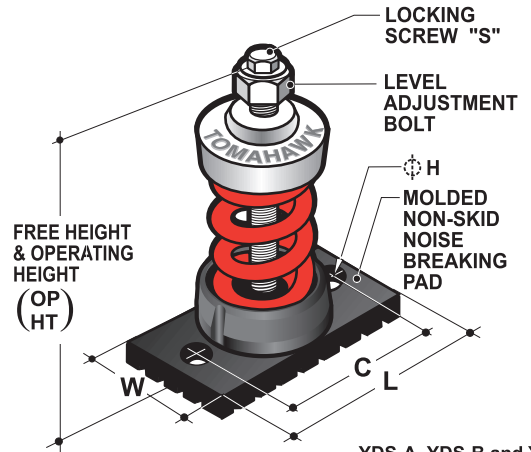
Rgn No : 180788
ISO 9001:2000 Certified

Spring Vibration Isolators

1-inch Rated Deflection

FREE-STANDING UNHOUSED • YDS-A • YDS-B • YDS-C • YDSL • YDS-X • YDS-Y • YDS-Z

YDS-A, YDS-B, YDS-C, YDSL, YDS-X, YDS-Y and **YDS-Z** are nominal 1-inch (25 mm) rated deflection single spring vibration isolators, free standing and unhooused. Consist of spring mounting caps, assembled with level adjustment bolts and locking screws⁽¹⁾, color epoxy coated steel springs⁽²⁾ for easy size identification and one piece molded⁽³⁾, non-skid noise breaking base, the safe working stress and lateral stability of Tomahawk springs are designed to meet a minimum ratio of 0.80, the spring outside diameter (OD) to loaded operating height. Minimum 50% overload protection (additional deflection from rated load before compression to solid) is included to offset any error may have in load distribution.



YDS-A, YDS-B and YDS-C

MODEL	IMPERIAL UNITS			COLOR CODE	METRIC UNITS			DIMENSION (mm)					
	Rated Load (lbs.)	Rated Defl. (in.)	Spring Rate (lbs./in.)		Rated Load (kg)	Rated Defl. (mm)	Spring Rate (kg/mm)	OP/HT	L	W	C	ΦH	S
YDS-A8e	8	1.40	5.71	brown	3.63	35.6	0.10	115	100	57	82	Φ10	M10x25L
YDS-A10e	10	1.35	7.41	grey	4.54	34.3	0.13	115	100	57	82	Φ10	M10x25L
YDS-A12e	12	1.31	9.16	red	5.44	33.3	0.16	115	100	57	82	Φ10	M10x25L
YDS-A20e	20	1.35	14.81	orange	9.07	34.3	0.26	115	100	57	82	Φ10	M10x25L
YDS-A25e	25	1.35	18.52	green	11.34	34.3	0.33	115	100	57	82	Φ10	M10x25L
YDS-A36e	36	1.30	27.69	blue	16.33	33.0	0.49	115	100	57	82	Φ10	M10x25L
YDS-A50e	50	1.45	34.48	white	22.69	36.8	0.62	115	100	57	82	Φ10	M10x25L
YDS-A75e	75	1.38	54.35	yellow	34.03	35.1	0.97	115	100	57	82	Φ10	M10x25L
YDS-A100e	100	1.32	75.76	grey	45.37	33.5	1.35	115	100	57	82	Φ10	M10x25L
YDS-A125e	125	1.25	100.00	orange	56.72	31.8	1.79	115	100	57	82	Φ10	M10x25L
YDS-A160e	160	1.18	135.59	tan	72.60	30.0	2.42	115	100	57	82	Φ10	M10x25L
YDS-A190e	190	1.12	169.64	dark green	86.21	28.4	3.03	115	100	57	82	Φ10	M10x25L
YDS-A210e	210	1.10	190.91	red	95.28	27.9	3.41	115	100	57	82	Φ10	M10x25L
YDS-A270e	270	1.08	250.00	dark blue	122.50	27.4	4.47	115	100	57	82	Φ10	M10x25L
YDS-A300e	300	1.06	283.02	brown	136.12	26.9	5.06	115	100	57	82	Φ10	M10x25L
YDS-A325e	325	1.04	312.50	grey	147.46	26.4	5.58	115	100	57	82	Φ10	M10x25L
YDS-A350e	350	1.00	350.00	blue	158.80	25.4	6.25	125	100	57	82	Φ10	M10x25L
YDS-A425e	425	1.00	425.00	orange	192.83	25.4	7.59	125	100	57	82	Φ10	M10x25L
YDS-A450e	450	1.00	450.00	green	204.17	25.4	8.04	125	100	57	82	Φ10	M10x25L
YDS-A575e	575	1.00	575.00	yellow	260.89	25.4	10.27	130	100	57	82	Φ10	M10x25L
YDS-A620e	620	1.00	620.00	black	281.31	25.4	11.08	130	100	57	82	Φ10	M10x25L
YDS-B90	90	1.85	48.65	brown	40.83	47.0	0.87	145	133	70	105	Φ14	M10x25L
YDS-B120	120	1.78	67.42	white	54.45	45.2	1.20	145	133	70	105	Φ14	M10x25L
YDS-B155	155	1.67	92.81	orange	70.33	42.4	1.66	145	133	70	105	Φ14	M10x25L
YDS-B200	200	1.56	128.21	tan	90.74	39.6	2.29	145	133	70	105	Φ14	M10x25L
YDS-B270	270	1.45	186.21	red	122.50	36.8	3.33	145	133	70	105	Φ14	M10x25L
YDS-B320	320	1.32	242.42	green	145.19	33.5	4.33	145	133	70	105	Φ14	M10x25L
YDS-B445	445	1.30	342.31	blue	201.91	33.0	6.11	145	133	70	105	Φ14	M10x25L
YDS-B500	500	1.25	400.00	pink	226.86	31.8	7.15	145	133	70	105	Φ14	M10x25L
YDS-B550	550	1.20	458.33	orange	249.55	30.5	8.19	145	133	70	105	Φ14	M10x25L
YDS-B630	630	1.12	562.50	grey	285.84	28.4	10.05	145	133	70	105	Φ14	M10x25L
YDS-B815	815	1.05	776.19	black	369.78	26.7	13.87	145	133	70	105	Φ14	M10x25L
YDS-B910	910	1.00	910.00	yellow	412.89	25.4	16.26	150	133	70	105	Φ14	M10x25L
YDS-B1000	1000	1.00	1000.00	white	453.72	25.4	17.86	145	133	70	105	Φ14	M10x25L
YDS-B1220i	1220	1.00	1220.00	black + yellow	553.54	25.4	21.79	150	133	70	105	Φ14	M10x25L
YDS-B1450i	1450	1.00	1450.00	white + yellow	657.89	25.4	25.90	150	133	70	105	Φ14	M10x25L
YDS-C140	140	1.95	71.79	brown	63.52	49.5	1.28	150	152	83	120	Φ14	M10x25L
YDS-C240	240	1.77	135.59	blue	108.89	45.0	2.42	150	152	83	120	Φ14	M10x25L
YDS-C380	380	1.62	234.57	green	172.41	41.1	4.19	150	152	83	120	Φ14	M10x25L
YDS-C410	410	1.57	261.15	grey	186.03	39.9	4.66	150	152	83	120	Φ14	M10x25L
YDS-C530	530	1.42	373.24	red	240.47	36.1	6.67	150	152	83	120	Φ14	M10x25L
YDS-C650	650	1.38	471.01	yellow	294.92	35.1	8.41	150	152	83	120	Φ14	M10x25L
YDS-C750	750	1.18	635.59	orange	340.29	30.0	11.35	150	152	83	120	Φ14	M10x25L
YDS-C900	900	1.05	857.14	tan	408.35	26.7	15.31	150	152	83	120	Φ14	M10x25L
YDS-C1040	1040	1.00	1040.00	white	471.87	25.4	18.58	150	152	83	120	Φ14	M10x25L
YDS-C1260i	1260	1.00	1260.00	white + green	571.69	25.4	22.51	150	152	83	120	Φ14	M10x25L
YDS-C1470	1470	1.00	1470.00	black	666.97	25.4	26.26	160	152	83	120	Φ14	M10x25L
YDS-C1720i	1720	1.00	1720.00	black + red	780.40	25.4	30.72	160	152	83	120	Φ14	M10x25L
YDS-C1900	1900	1.00	1900.00	yellow	862.07	25.4	33.94	160	152	83	120	Φ14	M10x25L
YDS-C2080i	2080	1.00	2080.00	black + blue	943.74	25.4	37.16	160	152	83	120	Φ14	M10x25L
YDS-C2330i	2330	1.00	2330.00	yellow + orange	1057.17	25.4	44.62	160	152	83	120	Φ14	M10x25L
YDS-C2510i	2510	1.00	2510.00	yellow + blue	1138.84	25.4	44.84	160	152	83	120	Φ14	M10x25L



Tomahawk



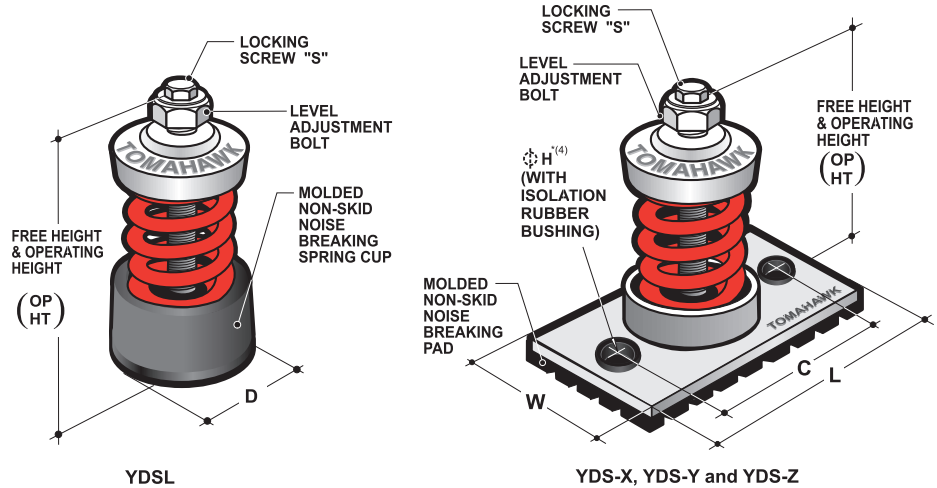
Spring Vibration Isolators

1-inch Rated Deflection

FREE-STANDING UNHOUSED • YDS-A • YDS-B • YDS-C • YDSL • YDS-X • YDS-Y • YDS-Z

Introducing..... YDSL

While most cases require bolting down of the isolator units for securing reason some do not need bolting down if mass effect and stability exists. YDSL, exactly same as model YDS but less the two bolting holes is ideally designed for this purpose and save some costs for no bolting down.



MODEL	IMPERIAL UNITS			COLOR CODE	METRIC UNITS			DIMENSION (mm)		
	Rated Load (lbs.)	Rated Defl. (in.)	Spring Rate (lbs./in.)		Rated Load (kg)	Rated Defl. (mm)	Spring Rate (kg/mm)	OP/HT	D	S
YDSL-C380	380	1.62	234.57	green	172.41	41.1	4.19	150	90	M10x25L
YDSL-C410	410	1.57	261.15	grey	186.03	39.9	4.66	150	90	M10x25L
YDSL-C530	530	1.42	373.24	red	240.47	36.1	6.67	150	90	M10x25L
YDSL-C650	650	1.38	471.01	yellow	294.92	35.1	8.41	150	90	M10x25L
YDSL-C750	750	1.18	635.59	orange	340.29	30.0	11.35	150	90	M10x25L
YDSL-C900	900	1.05	857.14	tan	408.35	26.7	15.31	150	90	M10x25L
YDSL-C1040	1040	1.00	1040.00	white	471.87	25.4	18.58	156	90	M10x25L
YDSL-C1260i	1260	1.00	1260.00	white+green	571.69	25.4	22.51	156	90	M10x25L
YDSL-C1470	1470	1.00	1470.00	black	666.97	25.4	26.26	159	90	M10x25L
YDSL-C1720i	1720	1.00	1720.00	black+red	780.40	25.4	30.72	159	90	M10x25L
YDSL-C1900	1900	1.00	1900.00	yellow	862.07	25.4	33.94	160	90	M10x25L
YDSL-C2080i	2080	1.00	2080.00	black+blue	943.74	25.4	37.16	160	90	M10x25L
YDSL-C2330i	2330	1.00	2330.00	yellow+orange	1057.17	25.4	41.62	160	90	M10x25L
YDSL-C2510i	2510	1.00	2510.00	yellow+blue	1138.84	25.4	44.84	160	90	M10x25L

MODEL	IMPERIAL UNITS			COLOR CODE	METRIC UNITS			DIMENSION (mm)					
	Rated Load (lbs.)	Rated Defl. (in.)	Spring Rate (lbs./in.)		Rated Load (kg)	Rated Defl. (mm)	Spring Rate (kg/mm)	OP/HT	L	W	C	ΦH	S
YDS-X1950	1950	1.00	1950.00	dark blue	884.75	25.40	34.83	180.00	165	85	130	Recom. M12 Bolts ⁽³⁾	M12x30L
YDS-X2250i	2250	1.00	2250.00	d. blue + yellow	1020.87	25.40	40.19	180.00	165	85	130		M12x30L
YDS-X2450	2450	1.00	2450.00	black	1111.62	25.40	43.76	180.00	165	85	130		M12x30L
YDS-X2750i	2750	1.00	2750.00	black + yellow	1247.73	25.40	49.12	180.00	165	85	130		M12x30L
YDS-X2950i	2950	1.00	2950.00	black + red	1338.48	25.40	52.70	180.00	165	85	130		M12x30L
YDS-X3150i	3150	1.00	3150.00	black + orange	1429.22	25.40	56.27	180.00	165	85	130		M12x30L
YDS-X3300i	3300	1.00	3300.00	black + white	1497.28	25.40	58.95	180.00	165	85	130	M12x30L	
YDS-Y3500	3500	1.00	3500.00	brown	1588.02	25.40	62.52	195.00	195	100	160	Recom. M12 Bolts	M12x30L
YDS-Y3900i	3900	1.00	3900.00	brown + red	1769.51	25.40	69.67	195.00	195	100	160		M12x30L
YDS-Y4200i	4200	1.00	4200.00	brown + orange	1905.63	25.40	75.02	195.00	195	100	160		M12x30L
YDS-Y4500i	4500	1.00	4500.00	brown + blue	2041.74	25.40	80.38	195.00	195	100	160		M12x30L
YDS-Z5000i	5000	1.00	5000.00	red + black	2268.60	25.40	89.32	210.00	220	125	180	M16 Bolts	M16x40L

- *Notes:**
- (1) Springs can be weatherproof treated and level adjustment bolts and locking screws can be stainless steel (304 or 316) material as alternative with price add.
 - (2) New YDS-B1000 is now a single white spring and YDS-C900 is now a single tan spring. YDS-C1260i is now a single white+green spring. YDS-B1220i & YDS-B1450i has a yellow spring inside. YDS-C1720i has a red spring inside. YDS-C2080i & YDS-C2510i has a blue spring inside. YDS-C2330i has an orange spring inside. YDS-X2750i has a yellow spring inside. YDS-X2950i has a red spring inside. YDS-X3150i has an orange spring inside. YDS-X3300i has a white spring. YDS-Y3900i has a red spring inside. YDS-Y4200i has an orange spring inside. YDS-Y4500i has a blue spring inside. YDS-Z5000i has a black spring inside.
 - (3) Applies to YDS-A,B,C and YDSL. Bases of YDS-X, Y and Z are comprised of steel plates with steel spring cup and non-skid noise breaking pads.
 - (4) Rubber isolation bushings are provided for M12 (YDS-X and YDS-Y) or M16 (YDS-Z) bolt down screws preventing metal-to-metal contacts.

Due to ongoing R&D Vibratech Industries Sdn Bhd reserves the right to upgrade and modify any specifications from time to time without prior notice.

