



Tomahawk



Spring Vibration Isolators

2-inch Rated Deflection

FREE-STANDING UNHOUSED

YDS-D & MULTIPLES

YDS-D spring isolators are full-fledged 2-inch (50mm) rated deflection, unhooused, single or multiple free standing mounted units, of which the springs have additional minimum 50% deflection to solid from rated deflection and have the ratio of outside diameter to loaded operating height of 0.90 for lateral stability. Assembled with level adjustment bolt, locking screw and washer, mounting cap, full color epoxy coated steel spring(s) and non-skid acoustical rubber base, YDS-D vibration isolators have inherited safe working stress in the design.

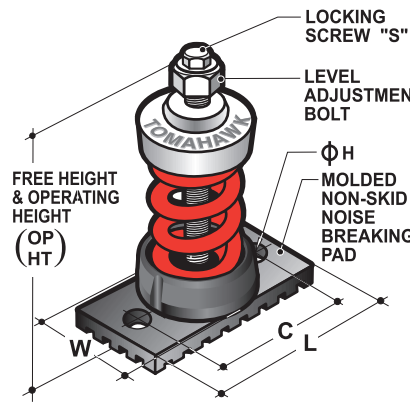


Fig. 1 (YDS-D50 to YDS-D1600)

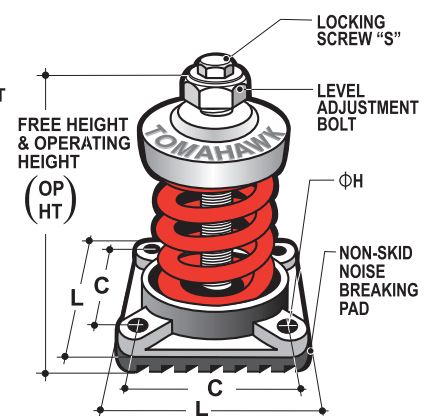


Fig. 2 (From YDS-D1900 onwards)

MODEL	IMPERIAL UNITS			COLOR CODE	METRIC UNITS			DIMENSION (mm)					
	Rated Load (lbs.)	Rated Defl. (in.)	Spring Rate (lbs./in.)		Rated Load (kg)	Rated Defl. (mm)	Spring Rate (kg/mm)	OP/HT	L	W	C	ØH	S
YDS-D50	50	2.00	25.00	green	22.7	51	0.45	155					
YDS-D75	75	2.00	37.50	grey	34.0	51	0.67	155	133	75	105	Ø12	M10 x 25L
YDS-D125	125	2.00	62.50	yellow	56.7	51	1.12	155					
YDS-D200	200	2.00	100.00	tan	90.7	51	1.79	155					
YDS-D250	250	2.00	125.00	brown	113.4	51	2.23	160					
YDS-D350	350	2.00	175.00	black	158.8	51	3.13	165	152	88	120	Ø13	M10 x 25L
YDS-D500	500	2.00	250.00	white	226.9	51	4.47	165					
YDS-D600	600	2.00	300.00	green	272.2	51	5.36	170	165	85	130	Ø16	M12 x 30L
YDS-D700	700	2.00	350.00	red	317.6	51	6.25	170					
YDS-D800	800	2.00	400.00	yellow	363.0	51	7.15	180					
YDS-D1000	1000	2.00	500.00	blue	453.7	51	8.93	185	195	100	160	Ø16	M12 x 30L
YDS-D1200	1200	2.00	600.00	tan	544.5	51	10.72	190					
YDS-D1350	1350	2.00	675.00	yellow	612.5	51	12.06	195					
YDS-D1600	1600	2.00	800.00	brown	726.0	51	14.29	225					
YDS-D1900	1900	2.00	950.00	blue	862.1	51	16.97	215	120		98		
YDS-D2200	2200	2.00	1100.00	red	998.2	51	19.65	235	118		100		
YDS-D2500i	2500	2.00	1250.00	red+white	1134.3	51	22.33	235	118	-	100	Ø16	M12 x 30L
YDS-D2800	2800	2.00	1400.00	tan	1270.4	51	25.01	245	133		109		
YDS-D3150	3150	2.00	1575.00	black	1429.2	51	27.59	245	133		112		
YDS-D3500	3500	2.00	1750.00	dark green	1588.0	51	31.26	255	142		122		
YDS-D4000	4000	2.00	2000.00	red	1814.9	51	35.73	265	150		126		
YDS-D4500i	4500	2.00	2250.00	red+white	2041.7	51	40.19	265	150	-	126	Ø16	M16 x 40L
YDS-D5000	5000	2.00	2500.00	brown	2268.6	51	44.66	275	163		140		
YDS-D5500	5500	2.00	2750.00	black	2495.5	51	49.12	280	163		140		

*(1) YDS-D50 to YDS-D500 with molded base.
YDS-D600 to D1600 with steel plate, spring cup and rubber base pad.

Due to ongoing R&D Vibratech Industries Sdn Bhd reserves the right to upgrade and modify any specifications from time to time without prior notice.

