

Spring Vibration Isolators

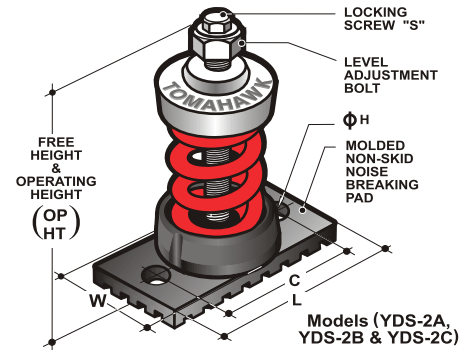
2-inch Deflection

- FREE-STANDING, UNHOUSED
 • YDS-2A • YDS-2B • YDS-2C
 Multiple Spring Mounts
 • YDS-2-2Cxxxx • YDS-6-2Cxxxx
 • YDS-3-2Cxxxx • YDS-8-2Cxxxx
 • YDS-4-2Cxxxx • YDS-9-2Cxxxx

YDS-2A, YDS-2B, YDS-2C are Tomahawk's design of 2-inch (50mm) rated deflection free-standing, unhooused, single or multiple steel spring vibration isolators.

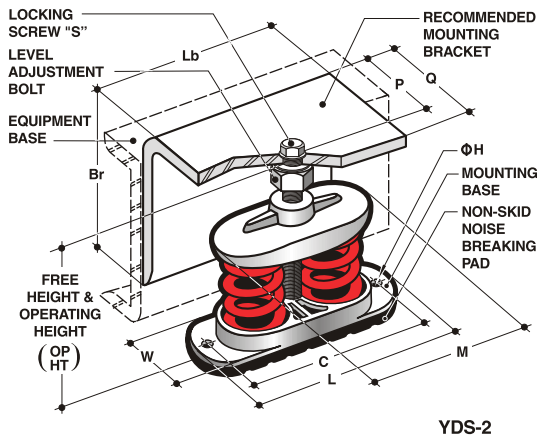
Same as YDS-A, B & C these isolators consist of spring mounting caps, assembled with level adjustment bolts and locking screw, color coded steel springs for easy load identification and one piece molded, non-skid noise breaking neoprene base.

A minimum ratio of 0.80, the spring outside diameter (OD) to loaded operating height is retained in the design for lateral stability. Though not all models have 50% additional deflection *1 to 7, they can be rated so by "down-rating the load and deflection" as per table below if contract specifiers do call for this requirement.

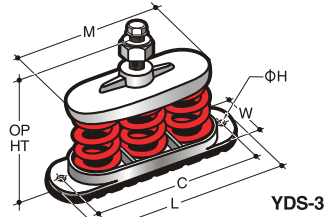


Model / Size	Rated Load (lbs.)	Rated Defl. (in.)	Spring Constant (lbs./in.)	Spring Color Code	Rated Load (Kg)	Rated Defl. (mm)	Spring Rated (Kg/mm)	Dimension (mm)						
								OP HT	Spring O.D.	W	L	C	ΦH	S
YDS-2A2e	2	2.24	0.89	black+red	0.91	56.90	0.016	138	51	63	105	83	Φ10	M10 X 25Lg
YDS-2A4e	4	2.16	1.85	red	1.82	54.86	0.033							
YDS-2A8e	8	2.16	3.70	tan	3.64	54.86	0.066							
YDS-2A10e	10	2.05	4.88	grey	4.55	52.07	0.087							
YDS-2A15e	15	2.05	7.32	orange	6.82	52.07	0.131							
YDS-2A20e	20	2.00	10.00	blue	9.09	50.80	0.179							
YDS-2A25e	25	2.00	12.50	yellow	11.36	50.80	0.224							
YDS-2A32e	32	2.00	16.00	brown	14.55	50.80	0.286							
YDS-2A37e	37	2.00	18.50	green	16.82	50.80	0.331							
YDS-2A53e	53	2.00	26.50	black	24.09	50.80	0.474							
YDS-2A70e	70	2.00	35.00	yellow	31.82	50.80	0.626							
YDS-2A85e	85	2.00	42.50	red	38.64	50.80	0.761							
YDS-2A105e	105	2.00	52.50	orange	47.73	50.80	0.940							
YDS-2A160e	160	2.00	80.00	blue	72.73	50.80	1.432							
YDS-2A210e	210	2.00	105.00	brown	95.45	50.80	1.879							
YDS-2A265e	265	2.00	132.00	green	120.45	50.80	2.371							
YDS-2B18	18	2.30	7.83	green	8.18	58.42	0.140	167	60	75	133	105	Φ13	M10 X 25Lg
YDS-2B25	25	2.20	11.36	red	11.36	55.88	0.203							
YDS-2B40	40	2.20	18.18	white+blue stripe	18.18	55.88	0.325							
YDS-2B60	60	2.15	27.91	blue	27.27	54.61	0.499							
YDS-2B85	85	2.08	40.87	yellow	38.64	52.83	0.731							
YDS-2B120	120	2.03	59.11	white	54.55	51.56	1.058							
YDS-2B150	150	2.00	75.00	brown	68.18	50.80	1.342							
YDS-2B200	200	2.00	100.00	orange	90.91	50.80	1.790							
YDS-2B260	260	2.00	130.00	pink	118.18	50.80	2.326							
YDS-2B320	320	2.00	160.00	grey	145.45	50.80	2.863							
* ⁽¹⁾ YDS-2B410	410	2.00	205.00	black	186.36	50.80	3.669							
* ⁽³⁾ YDS-2B500i	500	2.00	250.00	blk+yellow	227.27	50.80	4.474							
YDS-2B530	530	2.00	265.00	dark blue	240.91	50.80	4.742							
YDS-2B600i	600	2.00	300.00	d.blue+orgn	272.73	50.80	5.369							
YDS-2B650i	650	2.00	325.00	d.blue+red	295.45	50.80	5.816							
YDS-2B750i	750	2.00	375.00	d.blue+pink	340.91	50.80	6.711							
YDS-2C110	110	2.50	44.00	green	50.00	63.50	0.787	170	73	88	152	120	Φ13	M10 X 25Lg
YDS-2C155	155	2.40	64.58	pink	70.45	60.96	1.156							
YDS-2C200	200	2.35	85.11	grey	90.91	59.69	1.523							
YDS-2C260	260	2.25	115.56	brown	118.18	57.15	2.068							
YDS-2C340	340	2.20	154.55	blue	154.55	55.88	2.766							
YDS-2C430	430	2.00	215.00	yellow	195.45	50.80	3.848							
YDS-2C500	500	2.00	250.00	red	227.27	50.80	4.474							
YDS-2C570	570	2.00	285.00	black	259.09	50.80	5.100							
* ⁽²⁾ YDS-2C765	765	2.00	382.50	orange	347.73	50.80	6.845							
* ⁽⁴⁾ YDS-2C850i	850	2.00	425.00	orgn+yellow	386.36	50.80	7.606							
* ⁽⁵⁾ YDS-2C930i	930	2.00	465.00	orgn+black	422.73	50.80	8.321							
* ⁽⁶⁾ YDS-2C1100i	1100	2.00	550.00	orange+red	500.00	50.80	9.843							
* ⁽⁷⁾ YDS-2C1220i	1220	2.00	610.00	orgn+gold	554.55	50.80	10.916							

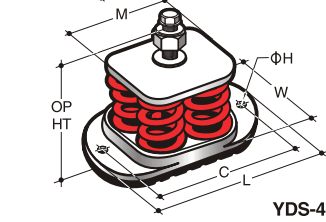
Spring Vibration Isolators YDS-2C Multiple Spring Mounts (2-inch deflection)



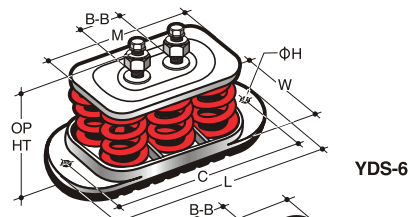
YDS-2



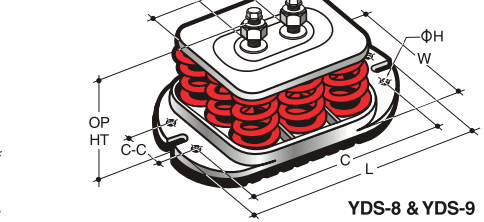
YDS-3



YDS-4



YDS-6



YDS-8 & YDS-9

Model / Size	Rated Load (lbs.)	Rated Defl. (in.)	Spring Color Code	Spring Rated (lbs./in.)	Dimension (mm)						Recommended Mounting Bracket								
					OP HT	L	W	C	M	ΦH	B-B	C-C	Lb	Br	P	Q	S		
YDS-2-2C520	520	2.25	brown	231.11															
YDS-2-2C680	680	2.20	blue	309.09															
YDS-2-2C860	860	2.00	yellow	430.00															
YDS-2-2C1000	1000	2.00	red	500.00															
YDS-2-2C1140	1140	2.00	black	570.00	220	280	85	240	200	2 x Φ14	-	-	150	100	60	100		M12 x 30 Lg	
YDS-2-2C1530	1530	2.00	orange	765.00															
YDS-2-2C1700	1700	2.00	orange + yellow	850.00															
YDS-2-2C1860	1860	2.00	orange + black	930.00															
YDS-2-2C2200	2200	2.00	orange + red	1,100.00															
YDS-2-2C2440	2440	2.00	orange + gold	1,220.00															
YDS-3-2C1290	1290	2.00	yellow	645.00															
YDS-3-2C1500	1500	2.00	red	750.00															
YDS-3-2C1710	1710	2.00	black	855.00															
YDS-3-2C2295	2295	2.00	orange	1,147.50	225	310	85	280	240	2 x Φ14	-	-	170	100	60	100		M12 x 30 Lg	
YDS-3-2C2550	2550	2.00	orange + yellow	1,275.00															
YDS-3-2C2790	2790	2.00	orange + black	1,395.00															
YDS-3-2C3300	3300	2.00	orange + red	1,650.00															
YDS-3-2C3660	3600	2.00	orange + gold	1,800.00															
YDS-4-2C2280	2280	2.00	black	1,140.00															
YDS-4-2C3060	3060	2.00	orange	1,530.00															
YDS-4-2C3400	3400	2.00	orange + yellow	1,700.00	250	240	170	200	170	2 x Φ14	-	-	200	150	100	150		M12 x 30 Lg	
YDS-4-2C3720	3720	2.00	orange + black	1,860.00															
YDS-4-2C4400	4400	2.00	orange + red	2,200.00															
YDS-4-2C4880	4880	2.00	orange + gold	2,440.00															
YDS-6-2C3420	3420	2.00	black	1,710.00															
YDS-6-2C4590	4590	2.00	orange	2,295.00															
YDS-6-2C5100	5100	2.00	orange + yellow	2,550.00	250	290	165	260	250	2 x Φ14	-	-	200	150	110	140		2 x M12 x 30 Lg	
YDS-6-2C5580	5580	2.00	orange + black	2,790.00															
YDS-6-2C6600	6600	2.00	orange + red	3,300.00															
YDS-6-2C7320	7320	2.00	orange + gold	3,660.00															
YDS-8-2C6800	6800	2.00	orange + yellow	3,400.00															
YDS-8-2C7440	7440	2.00	orange + black	3,720.00	260	295	250	264	250	4 x Φ14	160	80	200	150	150	180		2 x M12 x 30 Lg	
YDS-8-2C8800	8800	2.00	orange + red	4,400.00															
YDS-8-2C9760	9760	2.00	orange + gold	4,880.00															
YDS-9-2C7650	7650	2.00	orange + yellow	3,825.00															
YDS-9-2C8370	8370	2.00	orange + black	4,185.00	260	295	250	264	250	4 x Φ14	160	80	200	150	150	180		2 x M12 x 30 Lg	
YDS-9-2C9900	9900	2.00	orange + red	4,950.00															
YDS-9-2C10980	10980	2.00	orange + gold	5,490.00															

- *Notes: (1) YDS-2B410 & YDS-2B500i only has a 40% additional deflection to solid.
 (2) YDS-2C765, YDS-2C850i, YDS-2C930i, YDS-2C1100i & YDS-2C1220i only has a 27% additional deflection to solid.
 (3) YDS-2B500i has a yellow spring inside.
 (4) YDS-2C850i has a yellow spring inside.
 (5) YDS-2C930i has a black spring inside.
 (6) YDS-2C1100i has a red spring inside.
 (7) YDS-2C1220i has a gold spring inside.

If a FULL 50% additional deflection is specified then use the "Down-Rated" ratings as shown following:

Model / Size	Down-Rated Capacity (lbs.)	Down-Rated Deflection (in.)
YDS-2B410	383	1.87
YDS-2B500i	467	1.87
YDS-2C765	660	1.69
YDS-2C850i	719	1.69
YDS-2C930i	800	1.69
YDS-2C1100i	945	1.69
YDS-2C1220i	1050	1.69