

Walls Isolation Peripherals

Tomahawk Wall Sway Brace (WSB)

Where one wall is going to be isolated with the stud, it is required to have Isolation sway brace to join the gap to reduce noise and sound transmission.

LOAD CAPACITY (WSB-25 & 25XL)

Rated Load Horizontal Restrained (Kg)	Rated Deflection (mm)	Maximum Wall Weight Allowed	For 15 Hz. Minimum Weight Assigned
45	1.10	125 Kg	25 Kg

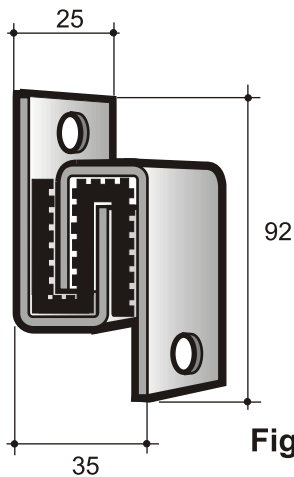
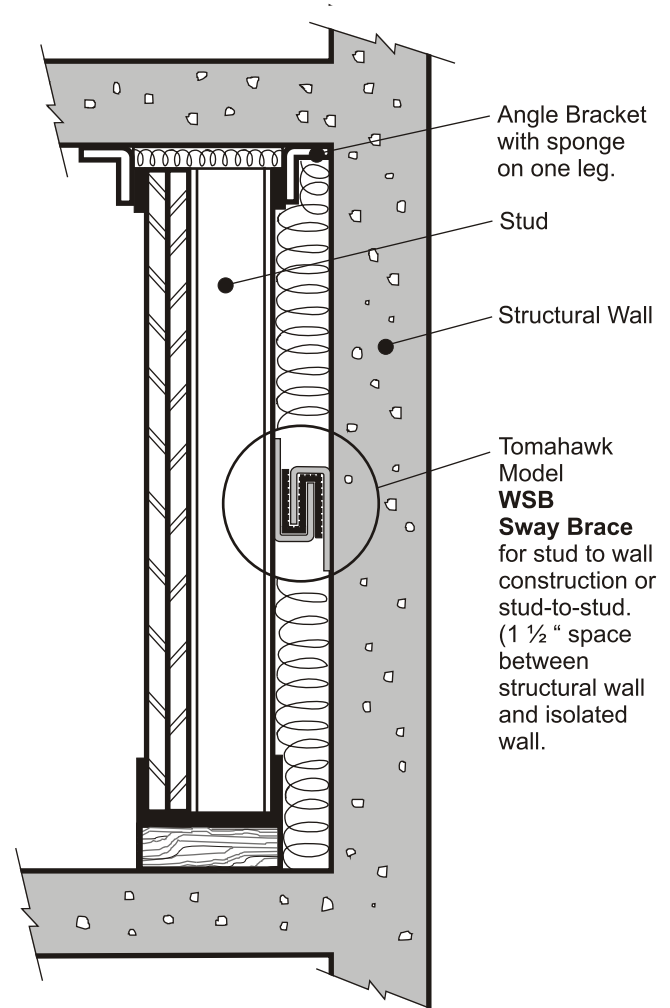


Fig. 1 WSB-25

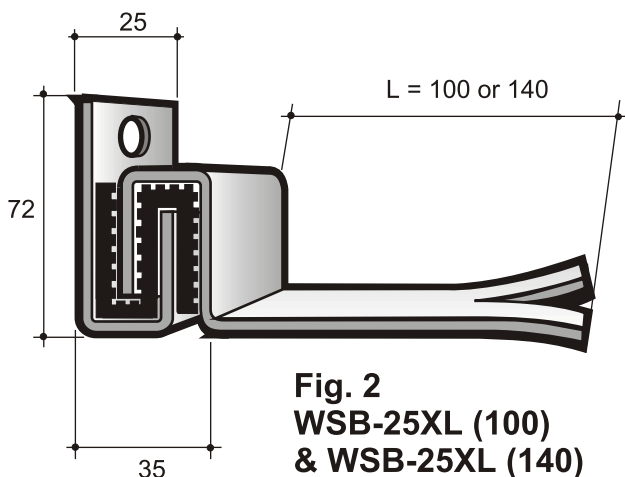


Fig. 2 WSB-25XL (100) & WSB-25XL (140)

