



Tomahawk



ISO 9001:2000 Certified

Spring Hangers

Precompressed (2-inch Deflection)

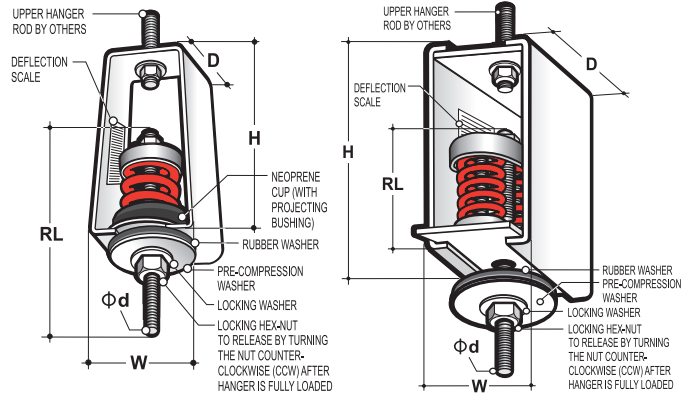
- PCSH-2A • PCSH-2B • PCSH-2C • PCSH-2-2C • PCSH-2-2Y
- PCSHDD-2A • PCSHDD-2B • PCSHDD-2C • PCSHDD-2-2C • PCSHDD-2-2Y

PCSH-2A, PCSH-2B, PCSH-2C, PCSH-2-2C and PCSH-2-2Y are factory precompressed 2-inch (50mm) rated deflection spring hangers for supporting horizontal piping at fixed elevation during installation.

The spring, mounted in a neoprene cup, with projected bushing passing through and holding firm in place with grommet to the lower support washer of hanger frame is precompressed with a big precompression washer and will be released after installation to support the full load. The neoprene cup serves as noise barrier and prevents "short-circuiting" of hanger rod with hanger frame.

An electroplated steel cap mounted on the spring will carry the load to the spring. The hanger frame is constructed from thick gauge steel plates with large load bearing safety factor embedded in the design.

For lateral stability the criteria of the ratio, spring outside diameter to loading operating height is equal to or greater than 0.80 is being adhered to and the spring is optimally designed for safe load stress and a 50% overload capacity.* (see note)



MODEL	IMPERIAL UNITS			COLOR CODE	METRIC UNITS			DIMENSION (mm)						
	Rated Load (lbs)	Rated Defl. ⁽¹⁾ (inch)	Spring Rate (lbs/inch)		Rated Load (Kg)	Rated Defl. (mm)	Spring Rate (kg/mm)	H	W	D	RL*	ϕd		
PCSH-2A15e	15	2.05	7.32	orange	6.81	52.1	0.13							
PCSH-2A20e	20	2.00	10.00	blue	9.07	50.8	0.18							
PCSH-2A25e	25	2.00	12.50	yellow	11.34	50.8	0.22							
PCSH-2A32e	32	2.00	16.00	brown	14.52	50.8	0.29							
PCSH-2A37e	37	2.00	18.50	green	16.79	50.8	0.33							
PCSH-2A53e	53	2.00	26.50	black	24.05	50.8	0.47							
PCSH-2A70e	70	2.00	35.00	orange	31.76	50.8	0.63	150	85	50	180	M12		
PCSH-2A85e	85	2.00	42.50	red	38.57	50.8	0.76							
PCSH-2A105e	105	2.00	52.50	yellow	47.64	50.8	0.94							
PCSH-2A160e	160	2.00	80.00	blue	72.60	50.8	1.43							
PCSH-2A210e	210	2.00	105.00	brown	95.28	50.8	1.88							
PCSH-2A265e	265	2.00	132.50	green	120.24	50.8	2.37							
PCSH-2B150	150	2.00	75.00	brown	68.06	50.8	1.34							
PCSH-2B200	200	2.00	100.00	orange	90.74	50.8	1.79							
PCSH-2B260	260	2.00	130.00	pink	117.97	50.8	2.32							
PCSH-2B320	320	2.00	160.00	grey	145.19	50.8	2.86							
PCSH-2B410 ⁽²⁾	410	2.00	205.00	black	186.03	50.8	3.66	190	100	65	230	M16		
PCSH-2B500i ⁽²⁾	500	2.00	250.00	black + yellow	226.86	50.8	4.47							
PCSH-2B530 ⁽³⁾	530	2.00	265.00	dark blue	240.47	50.8	4.73							
PCSH-2B600i ⁽³⁾	600	2.00	300.00	d.blue + orange	272.23	50.8	5.36							
PCSH-2B650i ⁽³⁾	650	2.00	325.00	dark blue + red	294.92	50.8	5.81							
PCSH-2B750i ⁽³⁾	750	2.00	375.00	dark blue + pink	340.29	50.8	6.70							
PCSH-2C340	340	2.00	154.55	blue	154.26	55.9	2.76							
PCSH-2C430	430	2.00	215.00	yellow	195.10	50.8	3.84							
PCSH-2C570	570	2.00	285.00	black	258.62	50.8	5.09							
PCSH-2C765 ⁽⁴⁾	765	2.00	382.50	orange	347.10	50.8	6.83							
PCSH-2C850i ⁽⁴⁾	850	2.00	425.00	orange + yellow	385.66	50.8	7.59	208	115	100	270	M20		
PCSH-2C930i ⁽⁴⁾	930	2.00	465.00	orange + black	421.96	50.8	8.31							
PCSH-2C1100i ⁽⁴⁾	1100	2.00	550.00	orange + red	499.09	50.8	9.82							
PCSH-2C1220i ⁽⁴⁾	1220	2.00	610.00	orange + white	553.54	50.8	10.90							
PCSH-2C1270i ⁽⁴⁾	1270	2.00	635.00	orange + green	576.23	50.8	11.34							
PCSH-2-2C1860i ⁽¹⁴⁾	1860	2.00	930.00	orange + black	843.92	50.8	16.61							
PCSH-2-2C2200i ⁽¹⁵⁾	2200	2.00	1100.00	orange + red	998.19	50.8	19.65							
PCSH-2-2C2440i ⁽¹⁶⁾	2440	2.00	1220.00	orange + white	1107.08	50.8	21.79	300	145	235	360	M27		
PCSH-2-2C2540i ⁽¹⁷⁾	2540	2.00	1270.00	orange + green	1152.45	50.8	22.69							
PCSH-2-2Y2600	2600	2.00	1300.00	yellow	1179.67	50.8	23.22							
PCSH-2-2Y3300	3300	2.00	1650.00	dark blue	1497.28	50.8	29.47	370	180	260	380	M30		
PCSH-2-2Y3900	3900	2.00	1950.00	black	1769.51	50.8	34.33							

Model / Size	DOWN-RATED CAPACITY		DOWN-RATED DEFLECTION	
	(lbs)	(kg)	(inch)	(mm)
PCSH-2B410	383	147	1.87	47
PCSH-2B500i	467	212	1.87	47
PCSH-2C765	660	299	1.69	43
PCSH-2C850i	719	326	1.69	43
PCSH-2C930i	800	363	1.69	43
PCSH-2C1100i	945	429	1.69	43
PCSH-2C1220i	1050	476	1.69	43
PCSH-2-2C1860i	1600	726	1.69	43
PCSH-2-2C2200i	1890	858	1.69	43
PCSH-2-2C2440i	2100	953	1.69	43
PCSH-2-2C2540i	2186	992	1.69	43

RL* : Rod length of lower rod.
 ϕd : Recommended rod dia. maximum (diameter) one size higher possible.

*Notes :

- (1) Spring Rate is rated load divided by rated deflection of SPRING only.
- (2) PCSH-2B410 and PCSH-2B500i only has a 40% additional deflection to solid.
- (3) PCSH-2B530, PCSH-2B600i, PCSH-2B650i and PCSH-2B750i has a FULL 50% additional deflection to solid.
- (4) PCSH-2C765, PCSH-2C850, PCSH-2C930i, PCSH-2C1100i and PCSH-2C1220i only has a 27% additional deflection to solid.
- (5) PCSH-2B500i has a yellow spring inside.
- (6) PCSH-2B600i has a orange spring inside.
- (7) PCSH-2B650i has a red spring inside.
- (8) PCSH-2B750i has a pink spring inside.
- (9) PCSH-2C850i has a yellow spring inside.
- (10) PCSH-C930i has a black spring inside.
- (11) PCSH-2C1100i has a red spring inside.
- (12) PCSH-2C1220i has a white spring inside.
- (13) PCSH-2C1270i has a green spring inside.
- (14) PCSH-2-2C1860i has a black spring inside.
- (15) PCSH-2-2C2200i has a red spring inside.
- (16) PCSH-2-2C2440i has a white spring inside.
- (17) PCSH-2-2C2540i has a green spring inside.

Specifications and contents are subject to change without prior notice as technology advances.



Tomahawk



ISO 9001:2000 Certified

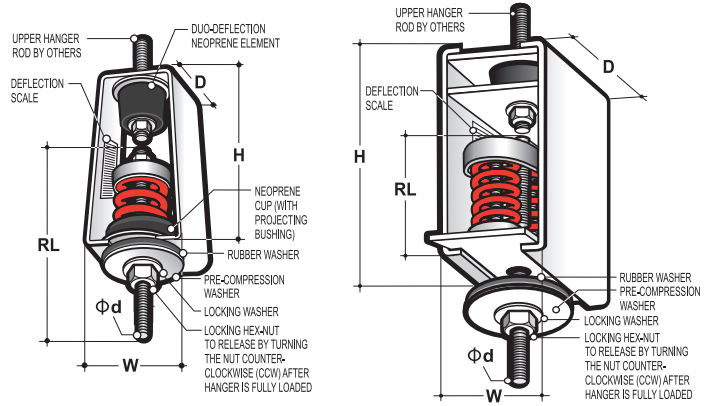
Spring Hangers

Precompressed

• PCSHDD-2A • PCSHDD-2B • PCSHDD-2C • PCSHDD-2Y

Pre-compressed Spring & Hanger Element combination:-

PCSHDD-2A, 2B, 2C and 2Y's are the outgrowths of PCSH-2A, 2B, 2C and 2Y's with the addition of Duo-Deflection hanger elements (except PCSHDD-2Y's) and factory pre-compressed. The Duo-Deflection hanger element is 0.25 inch to 0.3 inch average rated and help enhancing further isolation of disturbing vibrations. A deflection scale is provided for the reading of deflection at the inner side of the steel frame.



MODEL	IMPERIAL UNITS				COLOR CODE	METRIC UNITS			DIMENSION (mm)				
	Rated Load (lbs)	Rated Defl. (inch)	Total Rated Defl. (inch)	Spring Rate (lbs/inch)		Rated Load (Kgf)	Rated Defl. (mm)	Spring Rate (kg/mm)	H	W	D	RL*	Φd
PCSHDD-2A15e	15	2.05	2.30	6.52	orange	6.8	58	0.12	190	85	70	115	M12
PCSHDD-2A20e	20	2.00	2.25	8.89	blue	9.1	57	0.16					
PCSHDD-2A25e	25	2.00	2.25	11.11	yellow	11.3	57	0.20					
PCSHDD-2A32e	32	2.00	2.25	14.22	brown	14.5	57	0.25					
PCSHDD-2A37e	37	2.00	2.25	16.44	green	16.8	57	0.29					
PCSHDD-2A53e	53	2.00	2.25	23.56	black	24.0	57	0.42					
PCSHDD-2A70e	70	2.00	2.25	31.11	orange	31.8	57	0.56					
PCSHDD-2A85e	85	2.00	2.25	37.78	red	38.6	57	0.67					
PCSHDD-2A105e	105	2.00	2.25	46.67	yellow	47.6	57	0.83					
PCSHDD-2A160e	180	2.00	2.25	71.11	blue	72.6	57	1.27					
PCSHDD-2A210e	210	2.00	2.25	93.33	brown	95.3	57	1.67					
PCSHDD-2A265e	265	2.00	2.25	117.78	green	120.2	57	2.10					
PCSHDD-2B150	150	2.00	2.30	65.22	brown	68.1	58	1.16	240	100	90	140	M16
PCSHDD-2B200	200	2.00	2.30	86.96	orange	90.7	58	1.55					
PCSHDD-2B260	260	2.00	2.30	113.04	pink	118.0	58	2.02					
PCSHDD-2B320	320	2.00	2.30	139.13	grey	145.2	58	2.49					
PCSHDD-2B410 ⁽¹⁾	410	2.00	2.30	178.26	black	186.0	58	3.18					
PCSHDD-2B500 ⁽²⁾	500	2.00	2.30	217.39	black + yellow	226.9	58	3.88					
PCSHDD-2B530 ⁽²⁾	530	2.00	2.30	230.43	dark blue	240.5	58	4.12					
PCSHDD-2B600 ⁽⁶⁾	600	2.00	2.30	260.87	d.blue + orange	272.2	58	4.66					
PCSHDD-2B650 ⁽⁶⁾	650	2.00	2.30	282.61	dark blue + red	294.9	58	5.05					
PCSHDD-2B750 ⁽⁷⁾	750	2.00	2.30	326.09	dark blue + pink	340.3	58	5.82					
PCSHDD-2C340	340	2.00	2.50	136.00	blue	154.3	64	2.43	270	115	110	M20	
PCSHDD-2C430	430	2.00	2.30	186.96	yellow	195.1	58	3.34					
PCSHDD-2C500	500	2.00	2.30	217.39	red	226.9	58	3.88					
PCSHDD-2C570	570	2.00	2.30	247.83	black	258.6	58	4.43					
PCSHDD-2C650	650	2.00	2.30	282.61	green	294.9	58	5.05					
PCSHDD-2C765 ⁽⁹⁾	765	2.00	2.30	332.61	orange	347.1	58	5.94					
PCSHDD-2C850 ⁽⁸⁾	850	2.00	2.30	369.57	orange + yellow	385.7	58	6.60					
PCSHDD-2C930 ⁽⁹⁾	930	2.00	2.30	404.35	orange + black	422.0	58	7.22					
PCSHDD-2C1100i ⁽¹⁰⁾	1100	2.00	2.30	478.26	orange + red	499.1	58	8.54					
PCSHDD-2C1220i ⁽¹¹⁾	1220	2.00	2.30	530.43	orange + white	553.5	58	9.48					
PCSHDD-2C1270i ⁽¹²⁾	1270	2.00	2.30	552.17	orange + green	576.2	58	9.86					
PCSHDD-2-2C1860i	1860	2.00	2.30	808.70	orange + black	843.9	58	14.45	350	150	230	360	M27
PCSHDD-2-2C2200i	2200	2.00	2.30	956.52	orange + red	998.2	58	17.09					
PCSHDD-2-2C2440i	2440	2.00	2.30	1060.87	orange + white	1107.1	58	18.95					
PCSHDD-2-2C2540i	2540	2.00	2.30	1104.35	orange + green	1152.5	58	19.727					
PCSHDD-2-2Y2600	2600	2.00	2.30	1130.43	yellow	1179.7	58	20.19	400	180	260	380	M30
PCSHDD-2-2Y3300	3300	2.00	2.30	1434.78	dark blue	1497.3	58	25.63					
PCSHDD-2-2Y3900	3900	2.00	2.30	1695.65	black	1769.5	58	30.29					

RL* : Rod length of lower rod. Φd : Recommended rod dia. maximum (diameter) one size higher possible.

Notes: *(1) Rated deflection is deflection of SPRING only.
*(2) Total Rated Deflection includes deflection of the DUO-DEFLECTION hanger element.

If a FULL 50% additional deflection is specified then use the "Down-Rated" ratings as shown following:

Model / Size	Down-rated capacity (lbs)	Down-rated deflection (inch)	Down-rated capacity (kg)
PCSHDD-2B410	383	1.87	174
PCSHDD-2B500i	467	1.87	212
PCSHDD-2C765	660	1.69	299
PCSHDD-2C850i	719	1.69	326
PCSHDD-2C930i	800	1.69	363
PCSHDD-2C1100i	945	1.69	429
PCSHDD-2C1220i	1050	1.69	476
PCSHDD-2-2C1860i	1600	1.69	726
PCSHDD-2-2C2200i	1890	1.69	858
PCSHDD-2-2C2440i	2100	1.69	953
PCSHDD-2-2C2540i	2186	1.69	992

Notes:

- PCSHDD-2B410 & PCSHDD-2B500i only has a 40% additional deflection to solid.
- PCSHDD-2B530, PCSHDD-2B600i, PCSHDD-2B650i & PCSHDD-2B750i has a FULL 50% additional deflection to solid.
- PCSHDD-2C765, PCSHDD-2C850i, PCSHDD-2C930i, PCSHDD-2C1100i & PCSHDD-2C1220i only has a 27% additional deflection to solid.
- PCSHDD-2B500i has a yellow spring inside.
- PCSHDD-2B600i has a orange spring inside.
- PCSHDD-2B650i has a red spring inside.
- PCSHDD-2B750i has a pink spring inside.
- PCSHDD-2C850i has a yellow spring inside.
- PCSHDD-2C930i has a black spring inside.
- PCSHDD-2C1100i has a red spring inside.
- PCSHDD-2C1220i has a white spring inside.
- PCSHDD-2C1270i has a green spring inside.

Specifications and contents are subject to change without prior notice as technology advances.